

Since 1978, G&H Manufacturing has engineered exceptional products for the waste and recycling industry. We manufacture the #1 most requested hoist in the industry.

Innovative designs are combined with cutting edge technology and genuine craftsmanship, exceeding all industry standards and providing unsurpassed quality and assurance.

Enclosed Sealed Beam Lights mounted in rubber

Dolly Locks are standard on every 1700 Pup Wagon



Poly Fenders

Standard Spring Supported and Ratchet Tongue

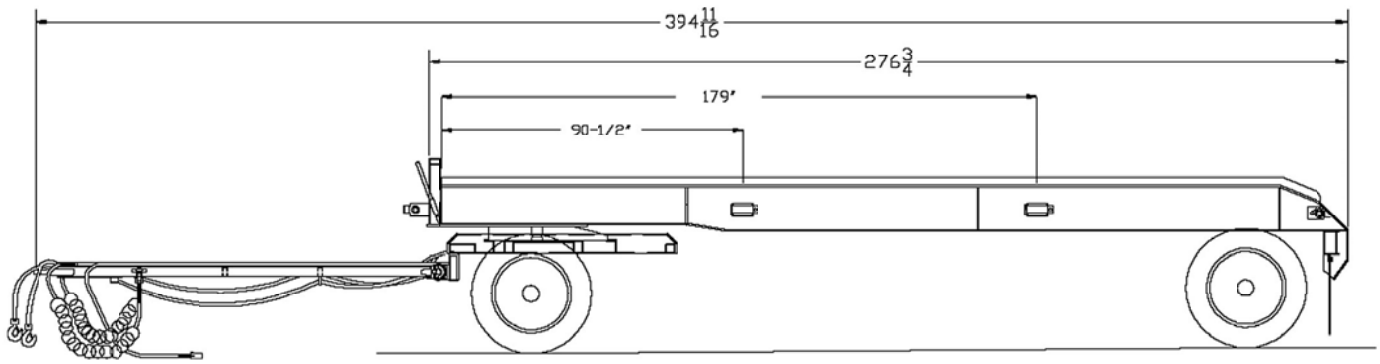
The 1700 Pup Wagon handles inside or outside rail boxes. Using the 1500 Roll-Off Hoist doubles your payload and allows you to load and unload containers from the 1700 Pup Wagon.

Available Options

Air Lift Axles
Third Axle Poly Fender
Air Powered Dolly Lock Out
Extra Spring Axle with or without Wheels

Standard Features

Dolly Lock
25,000 lb Axles
Ratchet Tie Downs
Spring Suspension
Budd Wheels - Hub Piloted
255/70R 22.5 Low Profile Tires
Tongue Lift Spring supported and adjustable
Lights sealed beam type with Mid-Turn Signals
ABS Brakes on Front and Rear Axles (D.O.T. requirement)



1700 Pup Wagon Specifications

Overall Length	395 in. - 33 ft.
Trailer Length	277.5 in. - 23 ft. 1.75 in.
Maximum Box Length	264 in. - 22 ft.
Tongue Length	121.75 in. - 10 ft. 1.75 in.
Weight	Approximately 7,500 lbs.
GVWR	40,000 lbs.
Ride Height	Approximately 50 in.
Load Height	Approximately 45 11/16 in.
Rail Dimension	Inside 34.5 in. Outside 35.5
Front Stop	Tubing 7 7/8 in. tall
Frame Construction	13 in. Beam (HI-TEN Web)
Fifth Wheel Plate	3/8 in. Reinforced
Dolly Frame	Rectangular Tubing 6 in. X 3 in. X .25 in.
ICC Bumper	Rigid
Suspension	Optional Air Ride, Air Lift with Dump Valve, 25,000 lb. capacity
Axles	5 in. Round, 25,000 lb. capacity
Tires	255/70R22.5
Brakes	16.5 in. X 7 in Air
Kingpin	2 in.
Fifth Wheel	Fixed
Safety Cables	Two 1/2 in. X 140 in. with Safety Hook
Lights	ICC Approved, Seal Beam Type with Mid-Turn
Electrical Connection	7 Way Plug
Dolly Lock	Tapered Pin Easy Release
Tongue Lift	Spring Supported
Ratchet Tie Down	Front Two with Chain Rear One with Chain Each Side, Two with Strap

