

Since 1978, G&H Manufacturing has engineered exceptional products for the waste and recycling industry. We manufacture the #1 most requested hoist in the industry.

Innovative designs are combined with cutting edge technology and genuine craftsmanship, exceeding all industry standards and providing unsurpassed quality and assurance.

Gravity Latch eliminates the need to maintain and repair a mechanical latch



Quick Change Tail Roller

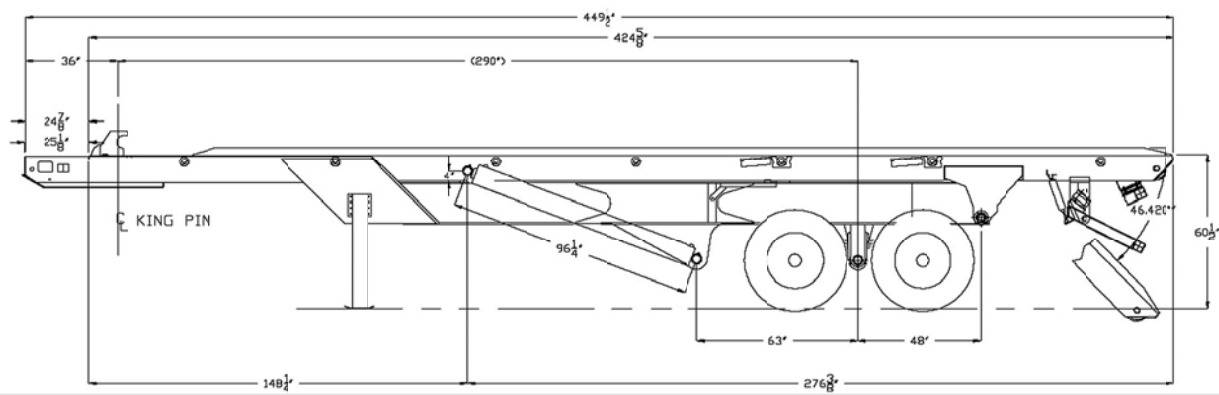
Rear Bumper automatically folds as the Hoist is raised

Available Options

Dead Lift
Air Lift Axles
Extendable Tail
Aluminum Fenders
Quick Change Tail Roller
Steel Tread Plate Fenders
Poly, Steel or Aluminum Tool Box
Inside/Outside Rails
Inside/Outside Rails with Inside Rollers
Aluminum Machined or Polished Wheels

Standard Features

ABS Brakes
Poly Fenders
Mid-Turn Signals
Auto Slack Adjuster
11R22.5 Radial Tires
Front Container Locks
Single Point Suspension
7" Lifting and Reeving Cylinders
Landing Gear with two speed Hand Crank



1600 Roll Off Hoist Specifications

Cylinders, Reeving	7 in. Bore-Single Stage, Double Acting
Cylinders, Tilt	7 in. Bore-Three Stage, Double Acting
Front Fenders	1/8 in. Steel Tread Plate
Rear Fenders	Poly Fenders Interchangeable and Replaceable
Tilt Frame Rails	10 in. X 4 in. 1/2 in. Wall
Trailer Main Frame	16 in. 40 lb. Wide Flange I Beam
Capacity	75,000 lb.
Controls	Air over Hydraulic
Container Length	Varies
Maximum Tilt Angle	50 Degrees
Hoist Unit Weight	Varies with Model
Tilt Frame Container Rollers	12
Cable Diameter	7/8 in.
Heavy Duty Landing Gear	Two Speed
Suspension	Single Point
Air Brakes	Meets all DOT Requirements
Lights	Meets all ICC and DOT Requirements
Tie Downs	Ratchet Tie Downs
Wheels	Hub Piloted Budd or Spoke
Tires	11R22.5 Tubeless
Rollers	All equipped with Aluminum Bronze Bushings and Grease Fittings
Folding Rear Bumper	Meets ICC Requirements
Rear Hinge	Heavy Duty Rear Hinge
Color	Black


GH Manufacturing
 ISO Registered 9001:2000
 1015 Commercial Blvd. South
 Arlington, Texas 76001
 817-467-9883
 1-800-654-5291

